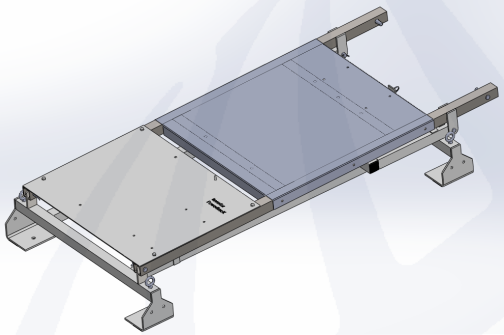
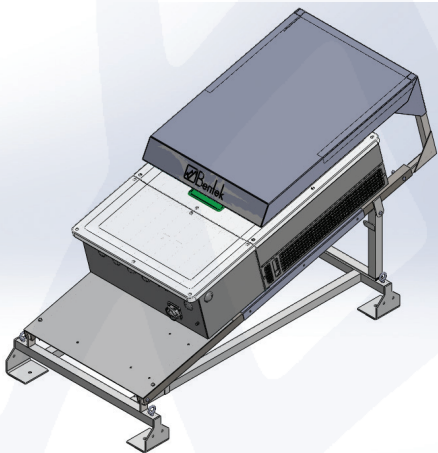


**Inverter PowerRack**



**Inverter PowerSkid**



NEC 690.12 compliance: Rapid shutdown requirements in Section 690.12 is solved by locating Schneider Electric Conext CL inverters on Bentek PowerSkids within 10 feet of the PV arrays

## Inverter PowerRack & PowerSkid

Inverter PowerRack & PowerSkid—designed specifically for the Schneider Electric Conext™ CL

### Inverter Racking, simplified:

Bentek has perfected the inverter PowerRack & PowerSkid for the Schneider Electric Conext CL inverter. The Bentek PowerRack & PowerSkid allows the Conext CL inverter and AC disconnects, cables and more to sit directly on flat commercial rooftops, within 10 feet of the PV arrays complying with NEC 690.12 rapid shutdown requirements. The Bentek PowerRack & PowerSkid is quick and easy to install, no holes to drill, no screws to tighten, just set it on the roof, it installs in seconds.

### Adjustable PowerRack & PowerSkid Standard Product Features

- ▶ Optional PE stamp drawings to insure full building code compliance
- ▶ Quick and easy to installation
- ▶ Installed directly on flat commercial rooftops
- ▶ No holes to drill into the rooftop
- ▶ Eye holes for easy lifting onto rooftops
- ▶ Adjustable PowerRack and PowerSkid allows for 10° to 15° angle setting on rooftop
- ▶ Adjustable settings are lockable
- ▶ Completely collapsible for reduced shipping costs
- ▶ Optional PowerShield protective cover
- ▶ 10 year warranty

### Bentek PowerRack & PowerSkid Integrated Products

- ▶ Bentek Power AC Disconnects
- ▶ Bentek Power Cables and Connectors

Contact Bentek: **1-866-505-0303**

Bentek Support: **1-888-202-5009**

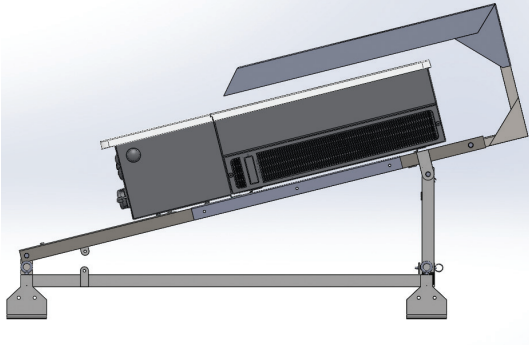
Schneider Electric Conext CL is a registered trademark of Schneider Electric Industries SAS



**BENTEK**  
COMMERCIAL  
**PowerSkid**



**BENTEK**  
COMMERCIAL  
**PowerRack**



Fully integrated from Bentek

## The Bentek Power Advantage

Bentek Power products meet the rigorous demands of premier commercial and utility scale power plant designers and installers.

Strict engineering design rules assure uncompromised safety and reliability. Our world-class manufacturing processes guarantee long product life in challenging environments. A wide range of options enables BOS optimization for all system configurations.

Bentek stands behind its products with the maintenance service and support needed to protect your investment.

Our products are NEC and UL complaint.

Standard Bentek Inverter PowerRack PowerSkid Model Numbers	Bentek Inverter PowerRack and PowerSkid Description
<b>PowerRack</b>	
BTK10-IPR-SCH	PowerRack for Schneider Electric Conext CL inverter
BTK10-IPR-SCH-SHIELD	PowerRack for Schneider Electric Conext CL inverter with PowerShield
BTK10-SCH-SHIELD	PowerShield only for Schneider Electric Conext CL inverter that fits on PowerRack
BTK10-SCH-AC40	40A AC Disconnect only for Schneider Electric Conext CL inverter that fits on PowerRack
<b>PowerSkid (PowerRack Integrated with Schneider Conext CL inverter)</b>	
BTK10-IPS-SCH-XX	PowerSkid with integrated Schneider Electric Conext CL inverter
BTK10-IPS-SCH-XX-SHIELD	PowerSkid with integrated Schneider Electric Conext CL inverter with PowerShield
BTK10-IPS-SCH-AC40-XX-SHIELD	PowerSkid with integrated Schneider Electric Conext CL inverter with PowerShield and integrated 40A AC disconnect that fits on the PowerRack

PowerShield=Inverter cover that protects the Schneider Electric Conext CL inverter from environmental elements  
XX=18kw or 25kw



## ABOUT BENTEK

Founded in 1985, Bentek is an industry leader in engineered electromechanical and power distribution solutions for industrial applications. We design and manufacture products such as wiring harnesses, electrical combiner boxes, and custom OEM assemblies for the solar energy and semiconductor markets. Bentek is an ISO certified company.